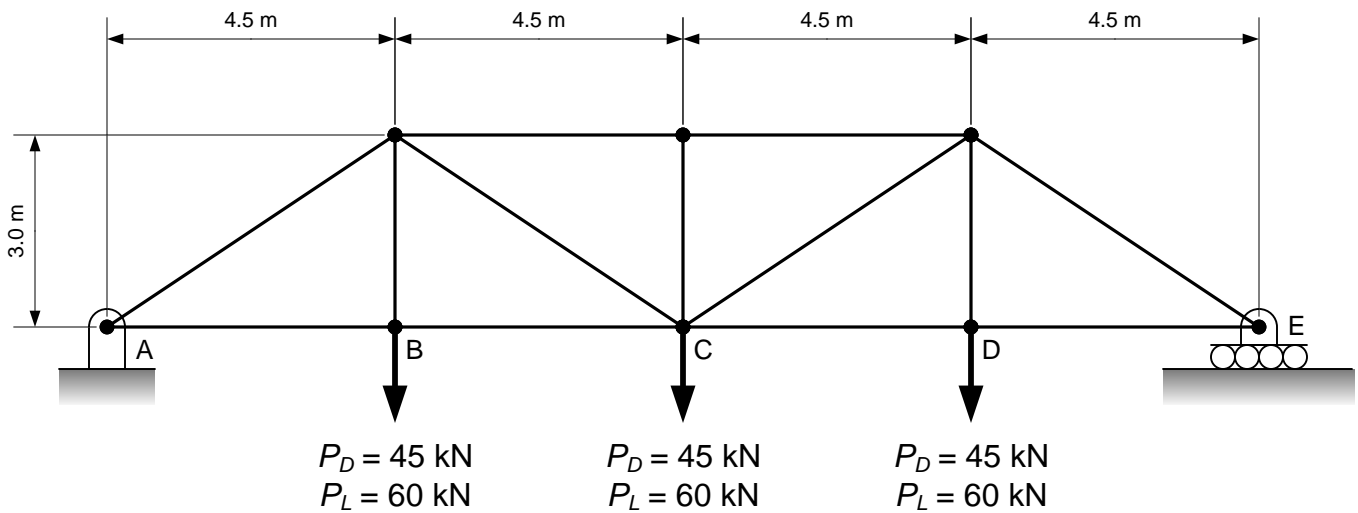
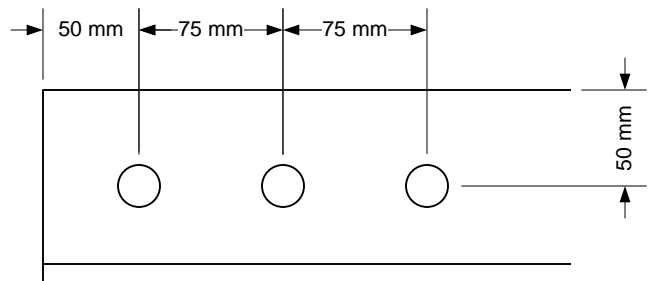
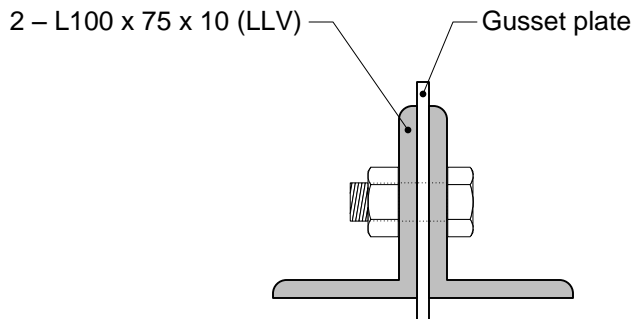


NAME: \_\_\_\_\_ CLASS #: \_\_\_\_\_

For the truss shown below, determine if member *CD* is adequate for the service loads shown. The steel is ASTM A36. Ignore the strength of the gusset plate.



Details of member CD



Notes:

LLV means **long leg vertical**; the longer leg (in this case, the 100-mm leg) is bolted to the gusset plate  
**L100 x 75 x 10** may be listed as **L102 x 76 x 9.5** in other steel section tables